



MT-Series FOR FIRE PUMP APPLICATION

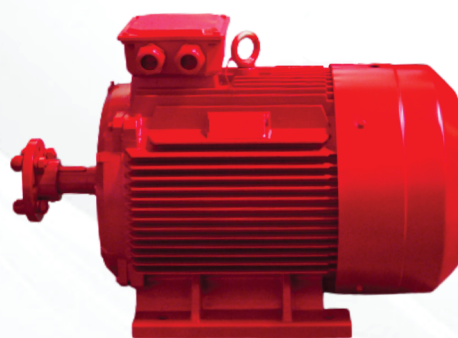
Operating Conditions

Altitude	1.000 meters
Ambient temperature	-20°C~+40°C
Cooling method	IC 411 (self external fan, surface cooling)
Duty	Continuous (S1 duty)
Connection	Y Star-connection
	Δ Delta-connection
Rated Voltage	220V/380V and 380V/660V
Rated Frequency	50HZ
Insulation Class	Class F
Protection Class	IP55

MT-series motor is totally enclosed fan cooled (TEFC) basic series of general purpose low voltage three phase induction motor. This motor is built with compact structure, standard efficiency, high torque, low vibration, and low noise.

MT-series motor is broadly used as the driving equipment in various machineries such as pumps, blowers, compressors, crushing machineries, plastic extruding machineries, agriculture machineries, paper making machine, milling machineries, mining machineries, and many others.

MT-series standard motor efficiency meets IE1 standard efficiency. IE2 and IE3 efficiency are available upon request.



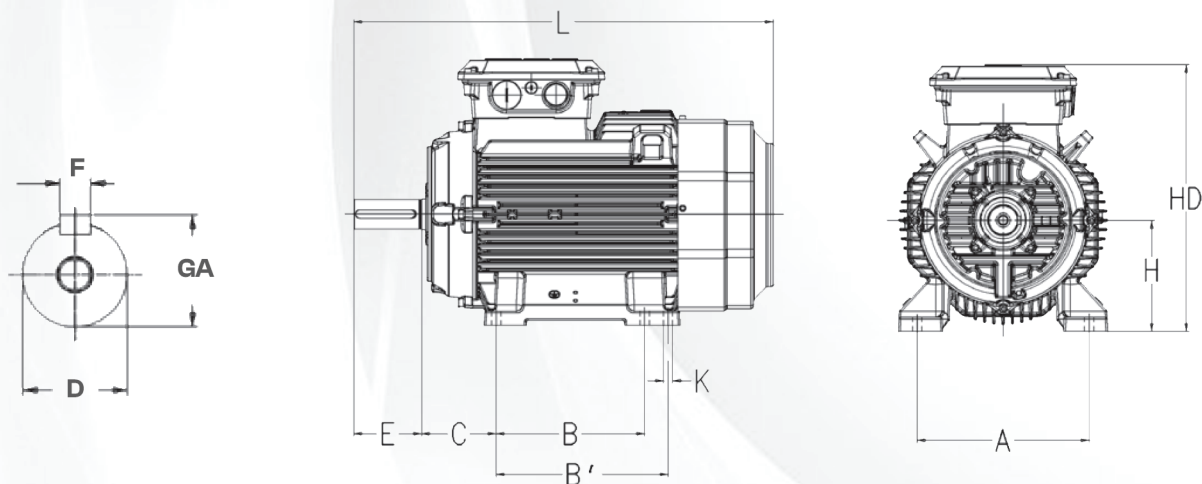
Performance Data

50 HZ, 3000 RPM(2 Pole)

Model	Rated Power		Current[A]			Speed [rpm]	Eff. [%]	Power Factor [cos φ]	Locked Current/Rated	Locked Torque/Rated	Max.Torque/Rated	Noise dB[A]	Weight [Kg]
	[kw]	[hp]	220V	380V	415V								
MT-63M1-4	0.18	0.24	1.07	0.62	0.57	1310	60.0	0.73	4.4	2.1	2.2	52	13.5
MT-63M2-4	0.25	0.33	1.36	0.79	0.72	1330	65.0	0.75	5.2	2.1	2.2	55	14
MT-71M1-4	0.37	0.5	1.93	1.12	1.03	1330	67.0	0.75	5.2	2.1	2.2	55	14.5
MT-71M2-4	0.55	0.75	2.71	1.57	1.44	1390	71.0	0.75	5.2	2.4	2.3	58	15
MT-80M1-4	0.75	1	3.51	2.03	1.86	1390	73.0	0.76	6.0	2.3	2.3	58	16.0
MT-80M2-4	1.1	1.5	4.99	2.89	2.65	1400	75.0	0.77	6.0	2.3	2.3	61	23.0
MT-90S-4	1.5	2	6.39	3.7	3.39	1400	78.0	0.79	6.0	2.3	2.3	61	25
MT-90L-4	2.2	3	8.91	5.16	4.72	1430	80.0	0.81	7.0	2.3	2.3	64	33
MT-100L-4	3.0	4	11.7	6.78	6.21	1430	82.0	0.82	7	2.3	2.3	64	35
MT-112M-4	4.0	5.5	15.2	8.8	8.06	1440	84.0	0.82	7	2.3	2.3	65	41
MT-132S1-4	5.5	7.5	20.2	11.7	10.7	1440	85.0	0.83	7	2.3	2.3	71	65
MT-132S2-4	7.5	10	26.9	15.6	14.3	1440	87.0	0.84	7	2.3	2.3	71	76
MT-160M1-4	11.0	15	38.5	22.3	20.4	1460	88.0	0.84	7	2.2	2.3	75	118
MT-160M2-4	15.0	20	52.0	30.1	27.6	1460	89.0	0.85	7.5	2.2	2.3	75	132
MT-160L-4	18.5	25	63.0	36.5	33.4	1470	90.5	0.86	7.5	2.2	2.3	76	164
MT-180M-4	22	30	74.6	43.2	39.6	1470	91.0	0.86	7.5	2.2	2.3	76	182
MT-200L1-4	30	40	99.5	57.6	52.7	1470	92	0.86	7.2	2.2	2.2	79	245
MT-200L2-4	37	50	121	69.9	64.0	1480	92.5	0.87	7.2	2.2	2.2	81	258
MT-225M-4	45	60	146	84.7	77.6	1480	92.8	0.87	7.2	2.2	2.2	81	290
MT-250M-4	55	75	178	103	94.3	1480	93	0.87	7.2	2.2	2.2	83	388
MT-280S-4	75	100	242	140	128	1480	93.8	0.87	7.2	2.2	2.2	86	510
MT-280M-4	90	125	288	167	154	1490	94.2	0.87	7.2	2.2	2.1	86	606
MT-315S-4	110	150	347	201	184	1490	94.5	0.88	6.9	2.1	2.1	93	910
MT-315M-4	132	180	415	240	220	1490	94.8	0.88	6.9	2.1	2.1	93	1000
MT-315L1-4	160	220	496	287	263	1490	94.9	0.89	6.9	2.1	2.1	97	1055
MT-315L2-4	200	270	620	359	329	1490	95	0.89	6.9	2.1	2.1	97	1128
MT-355M-4	250	340	765	443	406	1490	95.3	0.90	6.9	2.1	2.1	101	1700
MT-355L-4	315	420	960	556	509	1490	95.6	0.90	6.9	2.1	2.1	101	1900

MOUNTING & OVERALL DIMENSIONS

FRAME WITH FEET AND END-SHIELD WITHOUT FLANGE (IM B3)



Frame Size	Pole	Mounting dimensions(mm)											Overall dimensions (mm)				
		A	B	C	D	E	F	G	H	K	AB	AC	AD	HD	L		
63M	2,4	100	80	40	11	23	4	8.5	63	7	135	130	70	180	230		
71M	2,4,6	112	90	45	14	30	5	11	71	7	150	145	80	195	255		
80M	2,4,6,8	125	100	50	19	40	6	15.5	80	10	165	175	145	220	295		
90S	2,4,6,8	140	100	56	24	50	8	20	90	10	180	195	155	250	320		
90L	2,4,6,8	140	125	56	24	50	8	20	90	10	180	195	155	250	345		
100L	2,4,6,8	160	140	63	28	60	8	24	100	12	205	215	180	270	385		
112M	2,4,6,8	190	140	70	28	60	8	24	112	12	230	240	190	300	400		
132S	2,4,6,8	216	140	89	38	80	10	33	132	12	270	275	210	345	470		
132M	2,4,6,8	216	178	89	38	80	10	33	132	12	270	275	210	345	510		
160M	2,4,6,8	254	210	108	42	110	12	37	160	14.5	320	330	255	420	615		
160L	2,4,6,8	254	254	108	42	110	12	37	160	14.5	330	330	255	420	670		
180M	2,4,6,8	279	241	121	48	110	14	42.5	180	14.5	355	380	280	455	700		
180L	2,4,6,8	279	279	121	48	110	14	42.5	180	14.5	355	380	280	455	740		
200L	2,4,6,8	318	305	133	55	110	16	49	200	18.5	395	420	305	505	770		
225S	4,6,8	356	285	149	60	140	18	53	225	18.5	435	470	335	560	815		
225M	2	356	311	149	55	110	16	49	225	18.5	435	470	335	560	820		
225M	4,6,8	356	311	149	60	140	18	53	225	18.5	435	470	335	615	845		
250M	2	406	349	168	60	140	18	53	250	24	490	510	370	615	910		
250M	4,6,8	406	349	168	65	140	18	58	250	24	490	510	370	680	910		
280S	2	457	368	190	65	140	18	58	280	24	550	580	410	680	985		
280S	4,6,8	457	368	190	75	140	20	67.5	280	24	550	580	410	680	985		
280M	2	457	419	190	65	140	18	58	280	24	550	580	410	845	1035		
280M	4,6,8	457	419	190	75	140	20	67.5	280	24	550	580	410	845	1035		
315S	2	508	406	216	65	140	18	58	315	28	635	645	530	845	1240		
315S	4,6,8	508	406	216	80	170	22	71	315	28	635	645	530	845	1270		
315M	2	508	457	216	65	140	18	58	315	28	635	645	530	845	1350		
315M	4,6,8	508	457	216	80	170	22	71	315	28	635	645	530	845	1380		
315L	2	508	508	216	65	140	18	58	315	28	635	645	530	1010	1350		
315L	4,6,8	508	508	216	80	170	22	71	315	28	635	645	530	1010	1380		
355M	2	610	560	254	75	140	20	67.5	355	28	730	730	655	1010	1500		
355M	4,6,8	610	560	254	95	170	25	86	355	28	730	730	655	1010	1530		
355L	2	610	630	254	75	140	20	67.5	355	28	730	730	655	1010	1500		
355L	4,6,8	610	630	254	95	170	25	86	355	28	730	730	655	1010	1530		